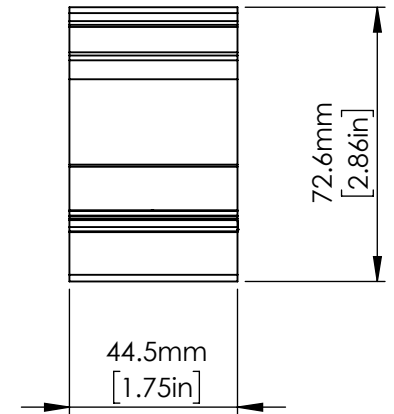
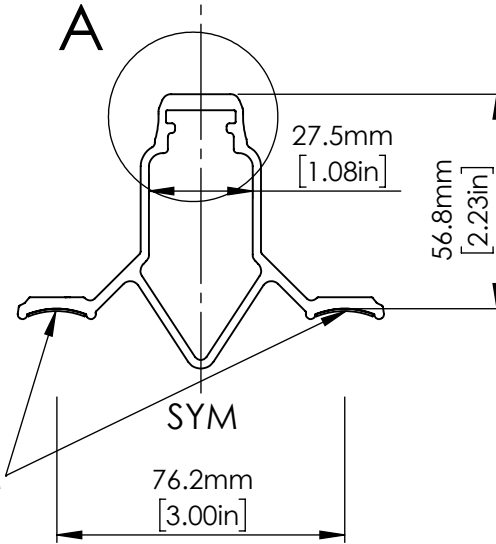


DETAIL A
SCALE 1 : 1

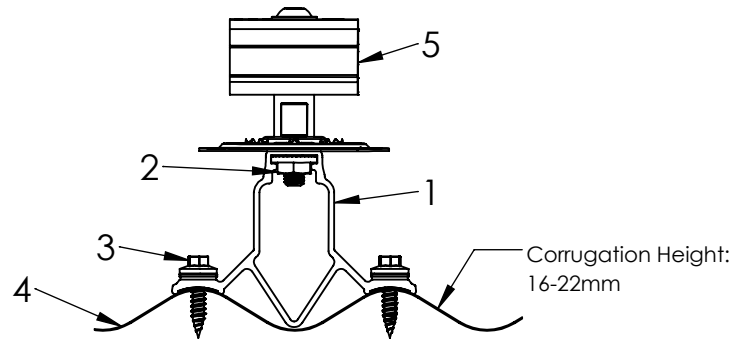


Factory applied EPDM


FOR STANDING SEAM SPECIFIC MECHANICAL LOAD TEST INFORMATION AND CLAMP INSTALLATION INFORMATION PLEASE VISIT: WWW.S-5.COM

General Notes:

1. CorruBracket 500T PV
2. M8 Hex Flange Nut
3. 1" Self Tapping Screw
4. Metal Roof Exmple
5. PV Kit 2.0



| | |
|--------------------|---|
| MATERIAL: | 6000 Series AL |
| EST BRACKET WEIGHT | 68.1 g |
| SUPPLIED HARDWARE: | (4x) 1" Self Tapping Screw M8 Hex Flange Nut |
| SCALE: | 1:2 |
| WEIGHTS: | |



S-5!
The Right Way!

METAL ROOF INNOVATIONS, LTD.
8655 TABLE BUTTE RD
COLORADO SPRINGS, CO 80908
719-495-0518
719-495-0045(FAX)

| | | | |
|---|----------------|----------|-----------|
| TITLE CorruBracket 500T PV CCD | | | |
| DRAWING NO. | AUCBTFPV-A-0-D | DRAWN BY | DATE |
| | | JW | 10/1/2020 |
| <p>S-5!® PRODUCTS ARE PROTECTED BY MULTIPLE U.S. PATENTS INCLUDING 5,228,248, 5,983,588 AND 6,164,033 (OTHERS ISSUED AND PENDING). EUROPEAN PATENTS ARE ALSO APPLIED FOR AND PENDING UNDER THE PATENT COOPERATION TREATY WITH DIVISIONAL FILING RIGHTS RETAINED. METAL ROOF INNOVATIONS, LTD. (LICENSOR OF S-5!® TECHNOLOGY) AGGRESSIVELY PROSECUTES PATENT INFRINGEMENT.</p> | | | |